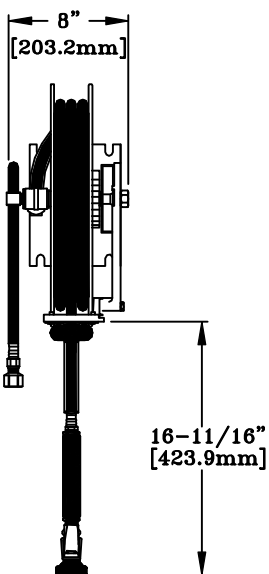
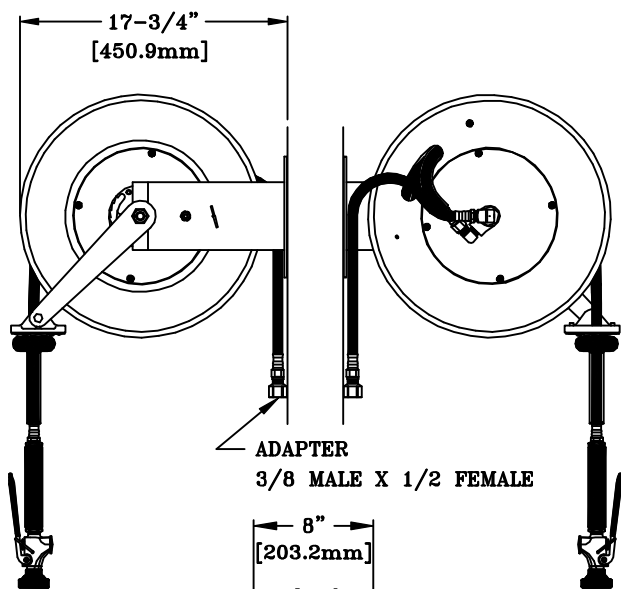


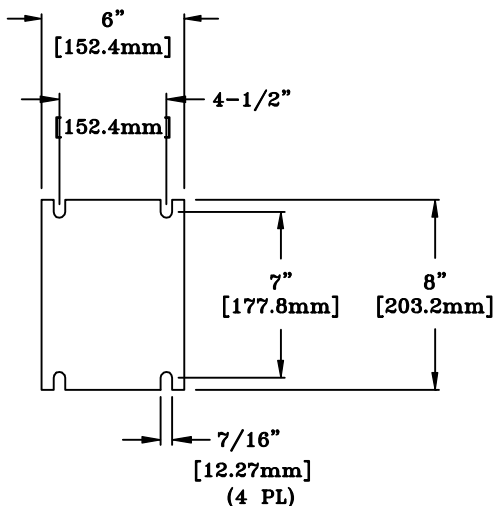
JOB NAME:

QUANTITY:

ITEM NO.:



ROUGH-IN: SEE MOUNTING PLATE BELOW



PRODUCT NAME:

REEL RINSE EXPOSED WALL MOUNT

SPECIAL CONFIGURATION
(CHECK BASE MODEL AND OPTIONS)

MODEL:

2980

OPTIONS OR MODIFICATIONS:

BRUSH
 OTHER _____

FEATURES:

REEL

- * SELF LOCKING
- * EXPOSED

HOSE

- * 35' LENGTH REEL HOSE
- * 19" LENGTH INLET HOSE
- * 3 PLY FIBER REINFORCED RUBBER HOSE
- * ADJUSTABLE BALL STOP

STANDARD SPRAY VALVE

- * NOZZLE THREADED INTO VALVE
- * 2.65 GPM AT 80 PSI
- * SHOWER SPRAY PATTERN

RECOMMENDED SETTINGS

- * 110°F AT 80 PSI

SYSTEM LIMITS

- * TEMP: 40°F MIN. TO 140°F MAX.
- * PRESSURE 200 PSI MAX. STATIC

SHIPPING WEIGHT

- * 34.0 LBS

ANSI/A112.18.1M

FISHER MANUFACTURING COMPANY
1900 SOUTH "O" STREET, TULARE, CALIFORNIA 93274
MAILING ADDRESS: P.O. BOX 60, TULARE, CALIFORNIA 93275
PHONE: (800) 421-6162 FAX: (800) 832-8238
M A D E I N U. S. A.